

DH-SD50/52C120S-HN

1.3Mp HD 20x Ultra-high Speed Network PTZ Dome Camera



Features

- 20x optical zoom
- H.264 & MJPEG dual-stream encoding
- Max. 25/30fps@1.3M(1280×960) & 720P resolution
- DWDR, Day/Night(ICR), Ultra DNR, Auto iris, Auto focus
- Multiple network monitoring: Web viewer, CMS(DSS/PSS) & DMSS
- Max 500°/s pan speed, 360° endless pan rotation
- Up to 300 presets, 5 auto scan, 8 tour, 5 pattern
- Built-in 2/1 alarm in/out
- Support intelligent 3D positioning with DH-SD protocol
- Micro SD memory, IP67(outdoor), IK10

DH-SD50/52C120S-HN

Technical Specifications

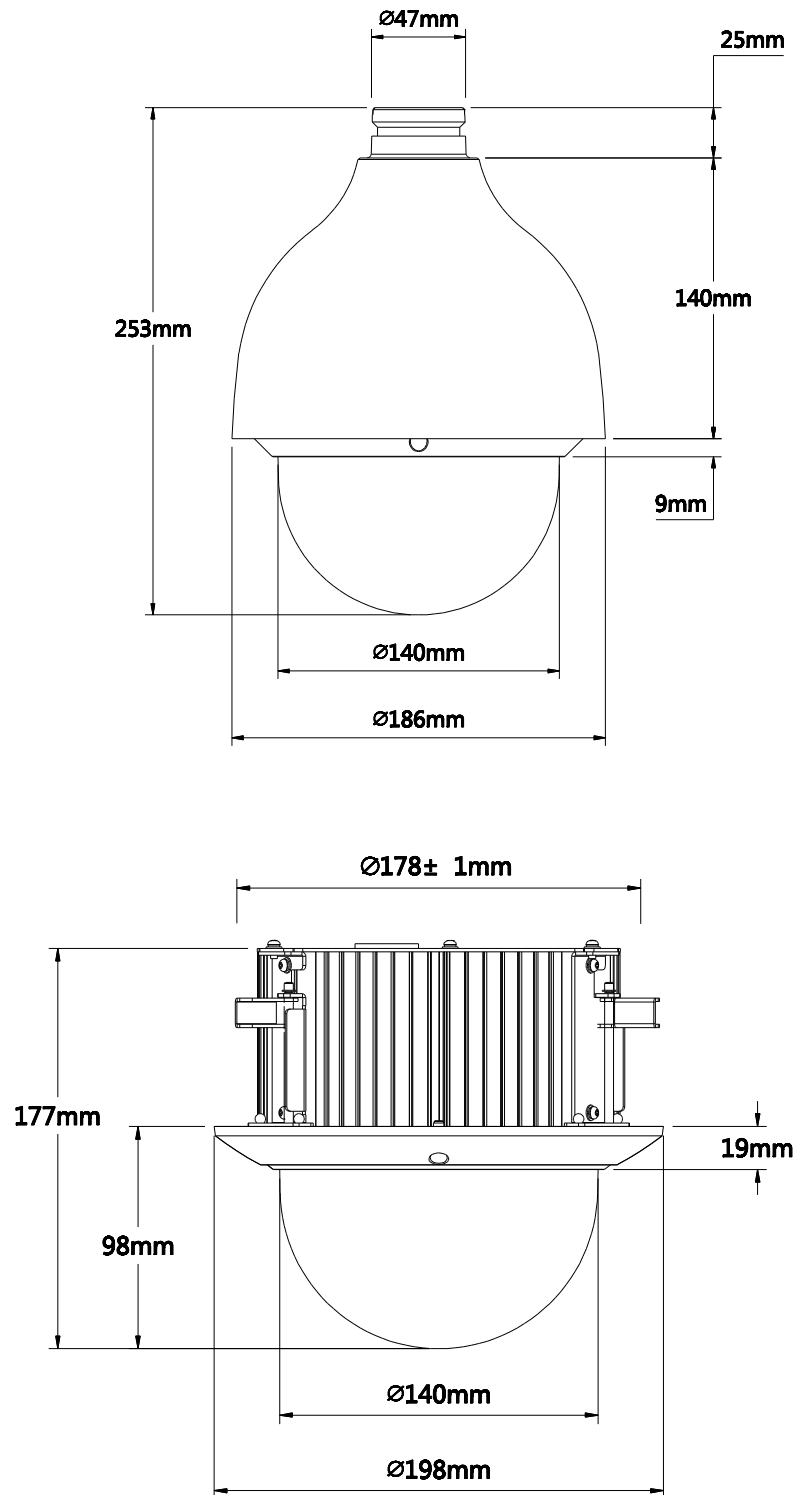
Model	DH-SD50120S-HN	DH-SD52C120S-HN
Camera		
Image Sensor	1/3" CMOS	
Effective Pixels	1280(H) x 960(V), 1.3Megapixels	
Scanning System	Progressive	
Electronic Shutter Speed	1/3 ~ 1/30,000s	
Min. Illumination	Color: 0.05Lux@F1.4; B/W: 0.005Lux@F1.4	
S/N Ratio	More than 55dB	
Camera Features		
Day/Night	Auto(ICR) / Color / B/W	
Backlight Compensation	BLC / HLC / DWDR (Digital WDR)	
White Balance	Auto, ATW, Indoor, Outdoor, Manual	
Gain Control	Auto / Manual	
Noise Reduction	Ultra DNR (2D/3D)	
Privacy Masking	Up to 24 areas	
Digital Zoom	16x	
Lens		
Focal Length	4.7mm~94mm(20x Optical zoom)	
Max Aperture	F1.4~ F2.6	
Focus Control	Auto / Manual	
Angle of View	H: 54.1° ~ 3.2°	
Close Focus Distance	100mm~ 1000mm	
PTZ		
Pan/Tilt Range	Pan: 0° ~ 360° endless; Tilt: 0° ~ 90°, auto flip 180°	
Manual Control Speed	Pan: 0.1° ~350° /s; Tilt: 0.1° ~250° /s	
Preset Speed	Pan: 500° /s; Tilt: 500° /s	
Preset	300	
PTZ Mode	5 Pattern, 8 Tour, Auto Pan, Auto Scan	
Speed Setup	Human-oriented focal length/ speed adaptation	
Power up Action	Auto restore to previous PTZ and lens status after power failure	
Idle Motion	Activate Preset/ Pan/ Scan/ Tour/ Pattern if there is no command in the specified period	
Video		
Compression	H.264 / MJPEG	
Resolution	1.3M(1280×960)/ 720P(1280×720) / D1(704×576/ 704×480) /CIF (352×288/352×240)	
Frame Rate	Main Stream	1.3M/ 720P (1 ~ 25/30fps)
	Sub Stream	D1/CIF(1 ~ 25/30fps)
Bit Rate	H.264: 448K ~ 8192Kbps	
Audio		

DH-SD50/52C120S-HN

Compression	G.711a / G.711Mu(32kbps)/ PCM(128kbps)	
Interface	1/1 channel In/Out	
Network		
Ethernet	RJ-45 (10/100Base-T)	
Protocol	IPv4/ IPv6, HTTP, HTTPS, SSL, TCP/IP, UDP, UPnP, ICMP, IGMP, SNMP, RTSP, RTP, SMTP, NTP, DHCP, DNS, PPPOE, DDNS, FTP, IP Filter, QoS,	
Compatibility	ONVIF PSIA CGI	
Max. User Access	20 users	
Smart Phone	iPhone, iPad, Android, Windows Phone	
Auxiliary Interface		
Memory Slot	Micro SD, Max 64GB	
Alarm	2/1 channel In/Out	
General		
Power Supply	AC24V/1.5A ($\pm 10\%$), POE Plus(802.3at)	
Power Consumption	13W, 23W (Heater on)	13W
Working Environment	-40°C ~ 60°C / Less than 90% RH	-20°C ~ 60°C / Less than 90% RH
Ingress Protection	IP67, IK10	IK10
Dimensions	$\Phi 186.0(\text{mm}) \times 253(\text{mm})$	$\Phi 198(\text{mm}) \times 177(\text{mm})$
Weight	2.5Kg	2.2Kg

DH-SD50/52C120S-HN

Dimensions (mm)



DH-SD50/52C120S-HN

Accessories

		
DH-PFB300S	DH-PFA110	Power Supply

Accessories (Optional)

					
DH-PFB300C	DH-PFA112	DH-PFA113	DH-PFA120	DH-PFA150	DH-PFA151

Dahua Technology Co., Ltd.

1199 BinAn Road, Binjiang District, Hangzhou, China

Tel: +86-571-87688883

Fax: +86-571-87688815

Email: overseas@dahuatech.com

www.dahuasecurity.com

*Design and specifications are subject to change without notice.

© 2014 Dahua Technology